



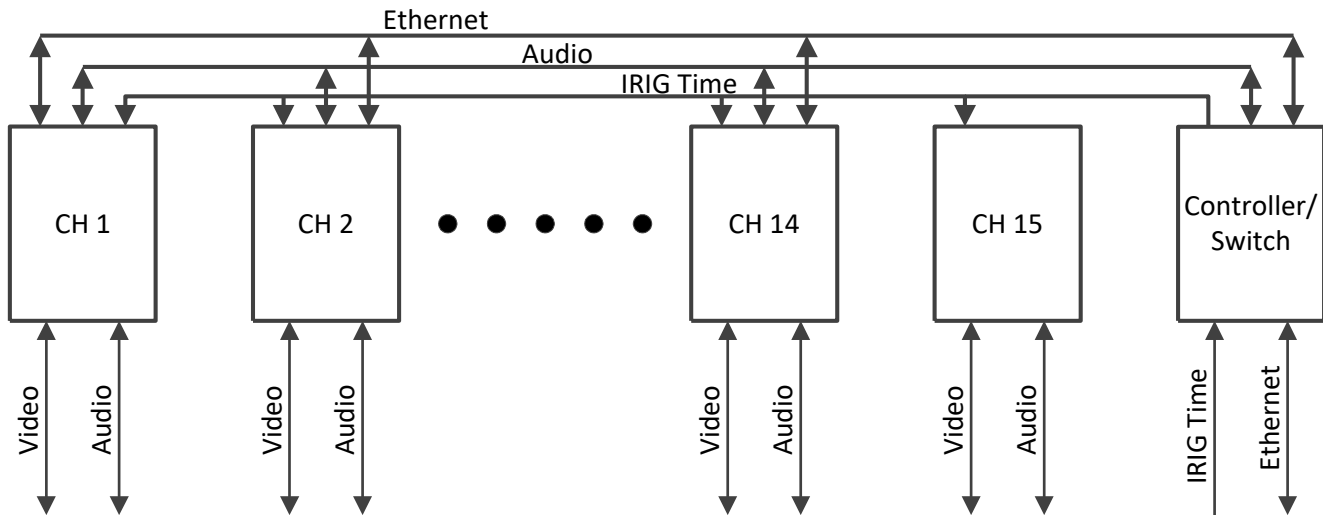
FEATURES

- Multi-channel video processing chassis for Video-over-IP applications
- Support for diverse video formats
 - HD/SD-SDI
 - DVI (Digital & Analog)
 - Composite
- Houses up to 15 Encoder/Decoder modules
- Fully configurable 10/100/1000 network interface module (VHC960)
- Copper or Fiber support via SFP
- Global Bus for IRIG-B Time and Audio via Switch/Controller Module
- 2U 19" Rack-mount Chassis
- 115/240 VAC Operation
 - Optional DC Operation
- Optional +12VDC Aux Power
 - For camera power
- Optional Redundant Power

The 9600 Series Video Distribution System (VDS) is a modular product that provides scalability for video distribution applications. The VDS, and its companion video encoder and decoder modules, are designed to provide a cost-effective solution for encoding, transmitting, and decoding diverse video formats such as those found in ground stations, operations centers, and classrooms. The VDS can support up to 15 channels of encoders and/or decoders and is compatible with other Delta, and competitive, encode/decode products.

The chassis features a Controller/Switch Module that provides a single connection for transport stream inputs and outputs, channel configuration, and status. The module uses a Small Form-factor Pluggable (SFP) transceiver to support copper or fiber Ethernet connections. The integrated switch reduces, or saves, the expense of an external switch, while also using less space and power.

A switched 10/100 Ethernet interface is connected to all 15 channels via the backplane to the Switch/Controller module. IRIG-B time is distributed across the backplane to permit time stamping of each encoder channel. Audio can also be distributed from a selected channel and applied to all other encoder channels. The VDS can be configured to provide bussed auxiliary or redundant power.



SPECIFICATIONS

SIZE

19" x 10.5" x 3.5" 2U

SLOTS

Encoder/Decoder 15

Switch/Controller 1

LEDs

Power-1, Power-2

WEIGHT

Single AC Power Supply 9lbs.

Dual AC Power Supply 10.5lbs.

POWER REQUIREMENT

100-240VAC, 1.5A, 50-60Hz, 440Hz

POWER CONSUMPTION

Chassis/Switch Module Only

15 Watts

w/ Encoder/Decoder Modules

Add 7 Watts per Channel

OPERATING ENVIRONMENT

Temp (Op) -20°C to +60°C

Temp (Storage) -55°C to +85°C

Humidity 5% - 95% RH, non-condensing

ORDERING INFORMATION

Part Numbers

9600 Chassis: 830-909600-01

Controller/Switch Module: 730-100617-01

